



## M-14™ PRACTICE BASKET

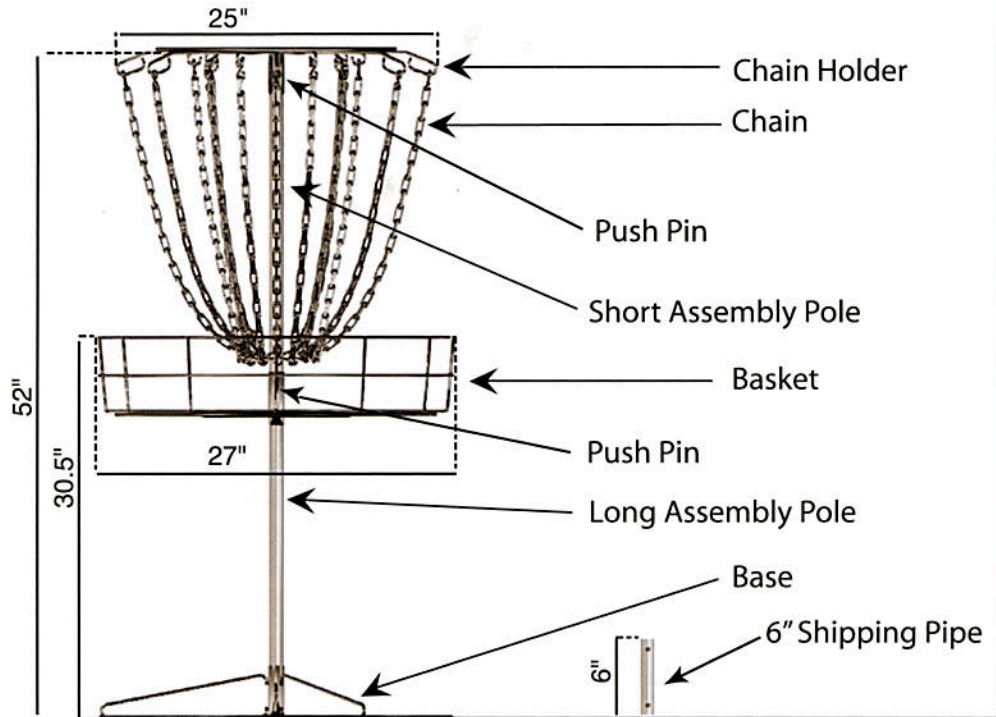
### Parts List:

### QTY:

Chain Holder and Chain	1
Basket	1
Base	1
Assembly Poles	2
6" Shipping Pipe (For shipping)	1

### About DGA®

Disc Golf Association®, is the leading manufacturer of disc golf course equipment and the founding company of disc golf. For over 30 years we have offered the finest quality disc golf equipment and the player preferred baskets for our customers.



### ASSEMBLY INSTRUCTIONS:

- 1) The M-14™ ships in its box with all of its main components resting in the basket secured on a six inch shipping pipe. The six inch pipe secures the chain holder, base and basket together. Push in the buttons to remove the chain holder, base and basket from the six inch shipping pipe. **The six inch shipping pipe is not part of the finished M-14™ basket assembly.** You can save this piece for later storage.
- 2) Start with the long assembly pole and the base. Take the long pole and put the end with the push button closest to the edge into the base by pushing the button in so that the pole slides inside of the base. Make sure the push button on the pole lines up with the hole in the base and push it through until it snaps together.
- 3) With the base on the ground, slide the basket down the attached pole towards the base by pushing the button on the pole in so that it slides onto the pole. Make sure the push button on the pole lines up with the hole in the basket and push it through until it snaps into place.
- 4) Next take the short assembly pole (*one end has a swedge and the other end has a black cap*) and fit the swedge end firmly into the long assembly pole that is already attached to the basket and the base.
- 5) Lift the chain holder with chain and hold it above the top of the pole assembly. Lower the chain holder so the ring of chain slides down and around the pole. Continue to lower the chain holder and chain so that the chain slides down the pole. Secure the chain holder at the top of the pole by pushing the button in on the top of the pole. Make sure the push button lines up with the hole and push it through until it snaps into place.

**To disassemble, reverse the steps above.**

### TROUBLESHOOTING:

You can use an eraser on the end of a pencil, or an object of similar size to push in the buttons to help. If a button disconnects from a pole and slides down into one of the poles you can push it back in with a broom handle or long thin stick. Just slide it in until it pops into place.

The M-14™ is silver zinc plated and should last many years. The M-14™ is not designed to be left outdoors permanently. If you wish to leave a basket outside permanently we recommend a hot dipped galvanized Disc Pole Hole™.

**See [www.discgolfassoc.com](http://www.discgolfassoc.com) for more information and to learn more about disc golf and DGA's full line of disc golf baskets, golf discs, and disc golf gear and accessories.**